

Patents, Designs, and Trade Marks

SUPPLEMENT

TO THE

NEW ZEALAND GAZETTE

OF

THURSDAY, JULY 13, 1911.

Published by Authority.

WELLINGTON, THURSDAY, JULY 13, 1911.

CONTENTS.

| | Page |
|--|------|
| International and Intercolonial Arrangements for the Mutual Protection of Patents and Trade Marks .. | 2221 |
| Applications for Letters Patent filed .. | 2222 |
| Complete Specifications filed after Provisionals .. | 2223 |
| Complete Specifications accepted .. | 2223 |
| Provisional Specifications accepted .. | 2226 |
| Letters Patent sealed .. | 2226 |
| Letters Patent on which Fees have been paid .. | 2227 |
| Subsequent Proprietors of Letters Patent registered .. | 2227 |
| Notice of Request to amend Specification .. | 2227 |
| Request for Amendment of Application for Letters Patent allowed .. | 2228 |
| Request for Correction of Clerical Error in Application for Letters Patent allowed .. | 2228 |
| Applications for Letters Patent opposed .. | 2228 |
| Applications for Letters Patent abandoned .. | 2228 |
| Applications for Letters Patent void .. | 2228 |
| Applications for Letters Patent lapsed .. | 2228 |
| Letters Patent void .. | 2228 |
| Design registered .. | 2228 |
| Applications for Trade Marks filed .. | 2228 |
| Applications for Registration of Trade Marks .. | 2229 |
| Trade Mark registered .. | 2231 |
| Trade Mark Renewal Fees paid .. | 2232 |
| Trade Marks removed from the Register .. | 2232 |
| Subsequent Proprietor of Trade Marks registered .. | 2232 |
| Application for Trade Mark opposed .. | 2232 |
| Application for Restoration of Trade Marks to the Register .. | 2232 |

International and Intercolonial Arrangements for the Mutual Protection of Patents and Trade Marks.

INTERNATIONAL CONVENTION.

THE following countries now belong to the Convention :—

| | |
|--|--|
| Australia. | Hungary. |
| Austria. | Italy. |
| Belgium. | Japan. |
| Brazil. | Mexico. |
| Ceylon. | New Zealand. |
| Cuba. | Norway. |
| Denmark and Faroe Islands. | Portugal, with the Azores and Madeira. |
| Dominican Republic. | Servia. |
| France, with Algeria and colonies. | Spain. |
| Germany. | Sweden. |
| Great Britain. | Switzerland. |
| Holland, with East Indian colonies, Curaçoa, and Surinam.* | Trinidad and Tobago. |
| | Tunis. |
| | United States of America. |

* Trade marks only.

Separate arrangements have been made between Australia and New Zealand.

Particulars of the Convention and of such arrangements may be seen in the following *Gazettes* :—

Notification of adhesion of New Zealand to the Convention, with text thereof (in English), in the *Gazette* of 26th November, 1891; notification of adherence of New Zealand to the Additional Act of the Convention, in *Patents Supplement to Gazette* No. 101, of the 16th November, 1905; Order in Council applying section 103 of the Imperial Act to New Zealand, in *Gazette* No. 27, of the 15th May, 1890; Orders in Council containing arrangements between Australia and New Zealand, in *Patent Supplements to the Gazette* Nos. 22, of the 9th March, 1905, and 38, of the 20th April, 1905.

Applications for Letters Patent filed.

LIST of applications for Letters Patent filed. (Where a complete specification accompanies an application an asterisk is affixed; in all other cases a provisional specification has been lodged. In all cases where the applicant is not the inventor the name of the latter appears in italics in brackets. † Denotes an application under the International and Intercolonial Arrangements.)

| | | |
|--|-------------------------------------|-------------------------------|
| Blaugas - Patent - Gesellschaft, m.b.H., Augsburg, Ger. | Gas-manufacture* | 29772; 30th August, 1910.† |
| (Blau, H.) | | |
| Blaugas - Patent - Gesellschaft, m.b.H., Augsburg, Ger. | Petroleum, tar, &c., distilling* | 29773; 23rd June. |
| (Blau, H.) | | |
| Gibbins, W. G., Forestgate, Eng. | Washing, dyeing, &c., machine* | 29774; 2nd July, 1910.† |
| Shredded Wheat Company, Niagara Falls, U.S.A. (Wal- | Biscuit* | 29775; 24th June. |
| lace, E. L.) | | |
| Williams, E. A., Kaitoke, N.Z. | Wool-rack | 29776; 24th June. |
| Sinton, W., Auckland, N.Z. | Sash-cord fastening | 29777; 24th June. |
| Timperley, W., Wellington, N.Z. | Calendars, &c. | 29778; 24th June. |
| Timperley, W., Wellington, N.Z. | Cash-tray | 29779; 24th June. |
| Drake, A., New Plymouth, N.Z. | Fencing-batten | 29780; 24th June. |
| Drake, A., New Plymouth, N.Z. | Fencing-post | 29781; 24th June. |
| Hargraves, C. A. W., Gisborne, N.Z. | Solder* | 29782; 24th June. |
| Patrick, F. C., Gisborne, N.Z. | Solder* | 29782; 24th June. |
| Hunter, J. D., Dunedin, N.Z. | Curd-breaker, &c. | 29783; 24th June. |
| Biokford, E. J., Randwick, N.S.W. | Steel-sealing* | 29784; 23th June. |
| Norgrove, H., Takapuna, N.Z. | Steam-boiler | 29785; 26th June. |
| Upchurch, J., Hunterville, N.Z. | Bench-vice* | 29786; 26th June. |
| Barr, S., Onehunga, N.Z. | Mowing-machine cutter | 29787; 21st June. |
| Christian, F. N., Tauranga, N.Z. | Liquid, drawing off* | 29788; 28th June. |
| Lambert, F. H., Shannon, N.Z. | Blight-destroying composition | 29789; 28th June. |
| Nicol, W. J., St. Arnaud, Vic. | Table-utensil washing-apparatus* | 29790; 29th June. |
| Masters, A. B., Christchurch, N.Z. | Car fares, collecting, &c. | 29791; 29th June. |
| Edwards, T., Ballarat, Vic. | Ore-cooling hearth* | 29792; 12th September, 1910.† |
| Edwards, T., Ballarat, Vic. | Ore-furnace* | 29793; 12th September, 1910.† |
| Edwards, T., Ballarat, Vic. | Calcoining-furnace* | 29794; 10th October, 1910.† |
| Gardner, J. O., Glorit, N.Z. | Rush and tussock remover | 29795; 28th June. |
| Coulls, Culling, and Co., Limited, Dunedin, N.Z. (Bristow, | Envelope* | 29796; 24th June. |
| C.) | | |
| Trifonoff, A., St. Petersburg, Rus. | Ore-treatment* | 29797; 27th June. |
| Gardner, D., St. Petersburg, Rus. | Ore-treatment* | 29797; 27th June. |
| Ackley, G. S., Buffalo, U.S.A. | Brake-chain winding-mechanism* | 29798; 27th June. |
| Wright, E. L., Brisbane, Qsld. | Roofing-tile | 29799; 30th June. |
| Grooby, R. T., Murchison, N.Z. | Belting | 29800; 30th June. |
| Kirkwood, E. M., Wanganui, N.Z. | Whip-attachment | 29801; 1st July. |
| Keen, C. E., Masterton, N.Z. | Closet-disinfecting* | 29802; 1st July. |
| Keen, C. E., Masterton, N.Z. | Piano-protector from mice* | 29803; 1st July. |
| Levinge, H. M., Okato, N.Z. | Acetate of soda, &c., preparing* | 29804; 30th June. |
| Lawrence, J. H., Dunedin, N.Z. | Hose-pipe unions and nozzles | 29805; 30th June. |
| Bridgman, E. J., Mabel Bush, N.Z. | Rotary engine | 29806; 30th June. |
| Raymond, F. V., Invercargill, N.Z. | Flax-dresser | 29807; 3rd July. |
| Beere, W. O., Wellington, N.Z. | Flax-dresser | 29807; 3rd July. |
| Colligan, A., Westport, N.Z. | Snatch-block | 29808; 3rd July. |
| Cooze, C. J., Wellington, N.Z. | Spouting-bracket | 29809; 3rd July. |
| Hahn, R. M., London, Eng. | Corset, &c., fastening* | 29810; 1st November, 1910.† |
| Carroll, L. H., Geelong, Vic. | Aeroplane* | 29811; 4th July. |
| Schultz, E., Melbourne, Vic. | Aeroplane* | 29811; 4th July. |
| Carr, J., Adelaide, S. Aust. | Charcoal-burner* | 29812; 7th July, 1910.† |
| Kensington, H., Christchurch, N.Z. | Toaster | 29813; 3rd July. |
| Wright, A. H., Auckland, N.Z. | Advertising-medium | 29814; 3rd July. |
| Fellowes, I., Auckland, N.Z. | Cork and capsule receiver | 29815; 1st July. |
| West, W., Auckland, N.Z. | Cork and capsule receiver | 29815; 1st July. |
| Suttie, C., Waharoa, N.Z. | Tow-collector | 29816; 3rd July. |
| Wynyard, M. H., Auckland, N.Z. | Tow-collector | 29816; 3rd July. |
| Simons, S., Auckland, N.Z. | Panels, &c., securing to furniture* | 29817; 3rd July. |
| Bertinshaw, G. J., Wellington, N.Z. | Pillar-box* | 29818; 5th July. |
| Wilson, T., Wellington, N.Z. | Pillar-box* | 29818; 5th July. |
| McArthur, C., Wellington, N.Z. | Pillar-box* | 29818; 5th July. |
| Hutcheson, J., Wellington, N.Z. | Pillar-box* | 29818; 5th July. |
| Wainwright, E. P., Hastings, N.Z. | Oil-economizer | 29819; 5th July. |
| Reid, A. S., St. Kilda, Vic. | Teat-cup | 29820; 5th July. |
| Reid, A. S., St. Kilda, Vic. | Milking-machine pulsator | 29821; 5th July. |
| Raynes, J. J., Rukuhia, N.Z. | Cream-separator driving-apparatus | 29822; 5th July. |
| Raynes, J. J., Rukuhia, N.Z. | Driving-power equalizer | 29823; 5th July. |
| Techno Chemical Laboratories, Limited, London, Eng. (Testrup, N.) | Oil, &c., treatment* | 29824; 4th July. |
| Harrison, H., Christchurch, N.Z. | Cooking-range | 29825; 5th July. |
| Booth, Macdonald, and Co., Limited, Christchurch, N.Z. (Whitaker, C. G.) | Windmill-gearing | 29826; 6th July. |
| De Montalk, J. S., Hamilton, N.Z. | Hanger-hook* | 29827; 6th July. |
| Parker, W. H., New Plymouth, N.Z. | Hairpin | 29828; 6th July. |
| Sim, W., Invercargill, N.Z. | Tin-can cap, securing | 29829; 3rd July. |

Complete Specifications filed after Provisionals.

LIST of complete specifications filed after provisional specifications from the 24th June to the 6th July, 1911, inclusive:—

- No. 27889.—E. Woodward, propeller.
- No. 28866.—W. McRae, plough.
- No. 28887.—P. Martin and F. Humphries, axle-lubricator.
- No. 28500.—A. O. Goulet, peanut-roaster.
- No. 28524.—J. M. Cameron, window and casement fitting.
- No. 28528.—J. Bellve and T. W. Potts, tramway-track point.
- No. 28530.—T. Balfour, potato-planter.
- No. 28546.—P. A. Nikolaisson, disc plough.
- No. 28594.—A. T. Crosher, electric-wire connection.

Notice of Acceptance of Complete Specifications.

Patent Office,
Wellington, 12th July, 1911.

COMPLETE specifications relating to the undermentioned applications for Letters Patent have been accepted, and are open to public inspection at this office. Any person may, at any time within two months from the date of this *Gazette*, give me notice in writing of opposition to the grant of any such patent. Such notice must set forth the particular grounds of objection, and be in duplicate. A fee of 10s. is payable thereon.

The copies of claims and extracts from the specifications and drawings are merely intended to give some further indication of the invention than is disclosed in the title, and the complete specifications and drawings should be referred to for a description of the invention.

No. 27987.—28th June, 1910.—JAMES PATERSON, of Union Street, Auckland, New Zealand, Varnish-manufacturer. Improvements in water-heaters and hot-air generators.*

Claims.—(1.) For the purpose indicated, in combination, a cylinder, or case, containing a coiled pipe, which is packed around with asbestos. (2.) For the purpose indicated, in combination, a return coil inside the case, fitted at the top with a safety-valve, spring-balance, plug, or whistle. (3.) For the purpose indicated, in combination, an exhaust-pipe, or shaft above the casing, fitted with one or more eduction-tubes communicating therewith. (Specification, 3s. 3d.)

No. 28050.—8th July, 1910.—HILTON HERRINGTON LAWN PARKER, of Pakipaki, New Zealand, Labourer. An improved manger.*

Claims.—(1.) The combination with a manger, of a hopper arranged to have a spout opening in its bottom end entering the manger, a rod suspended centrally in such hopper and extending out of the spout-opening, a ball or the like covering the bottom end of such rod, and spikes or projections extending horizontally from the rod, substantially as and for the purposes specified. (2.) The improvements in mangers substantially as described and explained, and for the purposes set forth. (Specification, 2s. 6d.)

No. 28341.—26th August, 1910.—THOMAS BASTIN, County Engineer, and JOHN McCARTY, Blacksmith, both of Palmerston North, New Zealand. Improved apparatus for spreading road-metal.*

Extract from Specification.—According hereto, a mould-board or curved plate is attached to the rear of an ordinary dray or cart, and is so arranged that it is adjustable for the purpose of operating upon either side of a road at will, the bevel of the mould-board being also adjustable to spread the metal in any desired direction. (Specification, 3s. 9d.)

[NOTE.—The above extract from the specification is inserted in place of the claims.]

No. 28351.—30th August, 1910.—FREDERICK FOWLER SIMPSON, of Sydney, New South Wales, General Agent. Improvements in apparatus for the determination of the moisture contained in wool or like substances.*

Claims.—(1.) In apparatus of the class specified, positioning the oil-annulus eccentrically to the retort-chamber, as and for the purpose ascertained. (2.) In apparatus of the class specified, means for regulating and determining the heat applied externally to the oil-annulus, consisting of a heating-device adapted to be adjustably positioned beneath the oil-annulus, and a vertical thermometer inserted in the oil-annulus, as and

for the purpose ascertained. (3.) In apparatus of the class specified, the combination with a cylindrical retort, of a surrounding eccentrically positioned oil-annulus, and means for regulating and determining the heat applied to said annulus, as claimed in claim 2. (4.) The improved apparatus for the determination of the moisture contained in wool or like substances described, and illustrated with reference to the drawings. (Specification, 3s. 9d.)

No. 28437.—15th September, 1910.—ALFRED PHILLIP STEWART, of Hunterville, New Zealand, Labourer. Improved combined scraper and brush for cleaning pots and the like.

Claims.—(1.) A combined scraper and brush for pots and the like wherein the body-portion has an integrally formed spherical handle, and the bristles are arranged in the form of a curve approximating to the contour of the pot, substantially as specified and illustrated. (Specification, 1s. 6d.)

[NOTE.—Here follow two other claims.]

No. 28682.—4th November, 1910.—HANS PETER RASMUSSEN, of No. 1 Council Street, St. Kilda, Dunedin, New Zealand, Inventor. Composition for the use of electric insulating and other commercial purposes.

Claims.—(1.) The described composition of matter consisting of mineral caoutchouc, mica, asbestos, sulphur, and shellac, substantially as described and for the purpose set forth. (Specification, 2s. 3d.)

[NOTE.—Here follow three other claims.]

No. 28754.—16th November, 1910.—HENRY VEALE, of Roxburgh, New Zealand, Storekeeper (assignee of William Mehring, of Keymar, Maryland, United States of America). Improved foot-power cow-milker.*

Claims.—(1.) In foot-power milking-machines for one or two cows, in combination, a reciprocating double-ended lever recessed for working by the feet, connected through bell-crank and rods with semi-ball joints to the piston of a vertical pump which withdraws milk from the cows by one branched tube to each, ending each with a sheath, tap, and observation-glass for each separate teat, and means of disconnecting each teat if needed, all substantially as shown on the drawing, and as described and as explained. (Specification, 3s.)

[NOTE.—Here follow two other claims.]

No. 28965.—13th January, 1910.†—WILLIAM LINDSAY HAMILTON, of 39 Bothwell Street, Glasgow, Scotland, Hardware-merchant. Improvements in or connected with aerial or suspended railways.

Claims.—(1.) An aerial railway comprising a track composed of a longitudinal assemblage of sections, each section being wholly supported throughout its length by resting upon a cable in suspension, the sections having some freedom of angular movement relative to one another, the track comprising a way or ways of which every portion throughout its length is supported by direct suspension from the cable. (2.) An aerial railway comprising a track composed of a longitudinal assemblage of sheet-metal sections, wholly supported by a cable in suspension, each section being formed with a continuous yoke to rest upon the cable, a continuous suspender depending from the yoke, and a continuous way supported by the suspender, substantially as set forth. (3.) An aerial railway comprising a track having two ways, wholly supported by a single cable in suspension, substantially as described, with reference to Figs. 1, 2, and 3, or to Fig. 4 or 5, of the drawings. (Specification, 12s.)

[NOTE.—Here follow five other claims.]

No. 29350.—28th March, 1911.—THOMAS NAPIER, of Morningside Quarries, Morningside, Auckland, New Zealand, Concrete-manufacturer. An improved concrete fencing-post.*

Extract from Specification.—According hereto, a wire or wires passing longitudinally up the post have attached brackets which project from the face of the post. Loops or eyes are thereby formed to receive a drop-er or rod whereby fencing-wires are retained in the jaw formed by adjacent eyes or loops. (Specification, 2s. 3d.)

[NOTE.—The above extract from the specification is inserted in place of the claims.]

No. 29352.—11th June, 1910.†—THE VISCOSE DEVELOPMENT COMPANY, LIMITED, of 11 Queen Victoria Street, London, England, Patentees and Manufacturers, and JAMES RIPON MORFORD, of the same address, Works-manager. Improvements in coverings for bottles, jars, or other vessels.

Claims.—(1.) The manufacture of caps or hollow articles of hydrated ester of cellulose or ester of cellulose derivative by spreading a solution of an ester of the kind herein referred to upon a suitable surface of the required shape and then bringing the coated surface into contact with water or an aqueous solution. (2.) For the purpose of covering or

sealing bottles, jars, or other vessels, or of covering shaped surfaces, placing upon the object or surface a cap or hollow article manufactured as referred to in claim 1, so that as the hydrated ester shrinks in losing water it becomes attached to the object or surface which it is to seal or cover. (3.) Caps or hollow articles consisting of hydrated ester of cellulose or hydrated ester of cellulose derivative. (4.) Caps, hollow articles, coverings, or sealing-layers consisting of ester of cellulose or ester of cellulose derivative shrunk into form or position by dehydration of hydrated ester. (Specification, 4s.)

No. 29395.—12th April, 1911.—KATE EMILY ROBINSON, of Soho Foundry, High Street, Maryborough, Victoria, Australia, Widow and sole Executrix for the late William Robinson, of the same address. Improved disintegrator for mineral and other substances.

Claims.—(1.) In disintegrators, in combination, a revolvable shaft or spindle on which is mounted one or more discs, set thereon at an angle other than a right angle, a casing in which such shaft and disc or discs may revolve, and a grating through which the disintegrated material may escape, substantially as and for the purposes set forth.

(Specification, 3s. 6d.)

[NOTE.—Here follow three other claims.]

No. 29495.—4th May, 1911.—JOHN CECIL BURTON and HUBERT HENRY BURTON, both of Granby Rubber Works, Post Office Place, Leicester, England, Rubber-manufacturers. Improvements in or relating to the jointing of ropes of rubber to be used for wheel-tires and the transmission of power.

Claims.—(1.) Jointing the ends of rubber "roping" provided with a wire core of the kind described by means of a pin or spindle, wire coil, or tube or sleeve, into or on to which the ends of the core are pushed, substantially as described. (2.) Jointing the ends of rubber roping provided with a coiled wire core by means of a pin or spindle disposed in the ends of the rope and within the convolutions of the wire core, substantially as described. (Specification, 4s.)

[NOTE.—Here follow four other claims.]

No. 29526.—16th June, 1911.—JOHN WILSON, of Auckland, New Zealand, Cement-maker. Improved apparatus for use in building concrete structures.

Extract from Specification.—According hereto, studs or stanchions of L-shaped section, intended to be permanently located during the construction of a rectangular building, are employed at each inside corner of the wall. Between these stanchions are a series of superposed shutters forming the inside of the mould, and so arranged that the lowest shutter, after a course of concrete has been filled in, can be removed and fixed above the others. A series of superposed transposable shutters, connected by bolts to the stanchions, is also employed for the outside wall of the mould. In many cases corner stanchions only will be required, but for long walls intermediate stanchions should be used. In moulding a curved wall the stanchions are curved on their outer and inner faces, the edges being bevelled at each side, and the shutters of the desired radius. (Specification, 4s. 6d.)

[NOTE.—The above extract from the specification is inserted in place of the claims.]

No. 29565.—18th May, 1911.—THOMAS EDWARDS, of Webster Street, Ballarat, Victoria, Australia, Metallurgist. Improvements in tilting calcining or roasting furnaces.

Claims.—(1.) A tilting furnace provided with a working-hearth, with a flue conveying gases directly over it, a separate flue above the working-hearth and another separate flue below such hearth, a chamber connecting the upper and lower flues at the feed-end of the furnace, and dampers for closing the communication between said flues through said chamber, while another damper permits of the opening of the working-hearth flue to and the cutting-off of same from said lower flue, the whole in combination with a chamber at the delivery-end of the furnace, with which the upper and lower flues communicate, and which is provided with a damper to open and close communication between said flues at such end, the upper end of each of said end chambers being provided with passages leading to a bustle-pipe or outlet-flue, and being provided with a damper to open and close the communication therewith, all substantially as and for the purpose specified. (Specification, 11s. 3d.)

[NOTE.—Here follow four other claims.]

No. 29591.—23rd May, 1911.—ARTHUR JAMES BILLOWS, of 59 Queen Street, Melbourne, Victoria, Australia, Manufacturing Chemist. Improvements in or relating to the aeration of liquids.

Claims.—(1.) Apparatus for the aeration of liquids adapted for aerating and bottling, for aerating and draught-supply, or for both purposes simultaneously, substantially as described. (2.) Apparatus for the aeration of liquids provided

with an expansion-chamber through which the gas-supply is delivered to the aerating-chamber, communication between the said chambers being established mechanically for the passage of the gas and automatically when an excess of the aerated liquid accumulates in the aerating-chamber to permit such excess to escape into the expansion-chamber, substantially as described. (3.) In apparatus for the aeration of liquids, the arrangement of a bottle-carrier bottle-head, and means for snifting, substantially as described. (4.) An apparatus for the aeration of liquids adapted to fill internally stoppered bottles or bottles closed by a cork, a screw stopper, or a swing stopper in the manner substantially as described. (5.) An apparatus for the aeration of liquid constructed and operating substantially as described, with reference to the drawings. (Specification, 12s. 9d.)

No. 29594.—23rd May, 1911.—W. R. SYKES INTERLOCKING SIGNAL COMPANY LIMITED, JOSEPH CHARLES SYKES, Director and Manager, REUBEN WILLIAM TARRANT, Electrical Engineer, all of 26 Voltaire Road, Clapham, London S.W., England, and MCKENZIE AND HOLLAND, LIMITED, of 58 Victoria Street, Westminster aforesaid, and Melbourne, Victoria, Australia, Railway-signal Engineers. Improvements in railway-rail contacts.

Extracts from Specification.—This invention relates to an improved construction of railway-rail-contact device—that is to say, a device whereby the passage of a train or vehicle over a predetermined point in the track is caused to actuate an electric switch serving to control, say, the working of a signal or the like whose operation is to be co-ordinated automatically with the movement of the traffic. . . . For this purpose the downward movement of the rail is magnified by means of a lever whose return movement under the influence of gravity (or some other constant force) is made to transmit motion, preferably again magnified in extent, through the medium of a pneumatic column, the whole or any desired part of the motion thus transmitted being ultimately utilized in the electric switch as required. (Specification, 8s. 9d.)

[NOTE.—The above extracts from the specification are inserted in place of the claims.]

No. 29596.—23rd May, 1911.—HENRY SELLY HELE-SHAW, Fellow of the Royal Society, and FRANCIS LEIGH MARTINEAU, Member of the Institution of Mechanical Engineers, both of No. 64 Victoria Street, London S.W., England. Improvements in pumps and motors.

Extract from Specification.—Among the more important features of the invention is the employment of cap-pistons in combination with rollers or slippers carried by them and operating in conjunction with the particular construction or stroke varying ring or drum having its slipper or roller paths arranged on either side of the cylinders, said varying ring being of enclosed form whereby the working-parts of the apparatus are automatically and effectively lubricated, although the outer casing is empty, and the loss due to the usual churning of oil in the case is entirely eliminated. The construction of the central valve and its connections of the form shown is also of importance, said valve having a channel in its diaphragm for establishing a circulation of oil for lubricating between the valve and the cylinder-body, and a suitable oil-reservoir is provided, into which oil leads and from which excess of oil is conducted by centrifugal force to supply the inside of the rotating enclosed stroke-varying ring. (Specification, 6s.)

[NOTE.—The above extract from the specification is inserted in place of the claims.]

No. 29607.—25th May, 1911.—PETER MURPHY, of 11 Shepherd Street, Sydney, New South Wales, Australia, Sheet-metal Worker. Improved means for controlling the gas and water supply to gas-fired water-heaters.

Extract from Specification.—According to this invention, one end of a rod is so connected to the external portion of the spindle of a high-pressure valve in the water-supply conductor that on the opening of the water-valve the free end of said rod is lifted out of locking engagement, with a handle (preferably a plate of quadrant form) connected to the spindle of the gas-supply valve whereby the latter valve may be opened, in which position the free end of the rod prevents the closing of the water-valve without first closing the gas-valve. And for controlling the water-supply to the heater a tap or valve of ordinary low-pressure type is used, positioned intermediate of the before-mentioned high-pressure valve and the heater, said tap or valve being provided with a by-pass to prevent any possibility of the flow of water to the heater being entirely cut off when the gas and water valves are open and the heater in use. (Specification, 3s. 6d.)

[NOTE.—The above extract from the specification is inserted in place of the claims.]

No. 29608.—25th May, 1911.—**SYDNEY FREDERICK BUCKINGHAM**, of Mangatainoka, Pahiatua, New Zealand, Labourer. An improved hose connection or coupling.

Extract from Specification.—Broadly speaking, the invention consists of a pair of claws, each of which is set opposite to the other, and each of which is articulated in one of the sections of the hose to be coupled. The claw is mounted in a recess in its own section of the hose-end, and when closed up to effect a joint it fits into a corresponding recess in the other section. A cam or eccentric lever is mounted in the other section of hose-end in such a way that when the said lever is turned so as to bear snugly against its own section of piping the cam tightens on the hook of the claw and prevents the claw from coming loose. The opposing claw is mounted in the other section, and its corresponding lever is similarly worked. In each hose-end is mounted a rubber ring or rings which take into a corresponding recess or recesses in the other hose-end to which it is to be joined. Pins on the hose-ends are placed oppositely to one another to facilitate fitting the ends together and to keep the ends in position when the joint is made. (Specification, 3s. 3d.)

[NOTE.—The above extract from the specification is inserted in place of the claims.]

No. 29609.—9th June, 1910.†—**JACOB WATKINSON** and **ALBERT EDWARD PAYNE**, both of 138 Cambus Road, Canning Town, London E., England, Electricians. An improved apparatus for regulating or controlling the pressure of the current in an electric circuit.

Extract from Specification.—The invention consists in the combination with a series of resistances composed of separate pieces of graphite or similar material clamped together in groups and suitably connected to contacts, of a pivoted switch-arm carrying a roller or rollers or blocks mounted on resilient arms, which rollers or blocks are adapted to bear upon the contacts, and the said switch-arm may also be provided with flat spring arms to further insure an efficient contact. (Specification, 5s. 3d.)

[NOTE.—The above extract from the specification is inserted in place of the claims.]

No. 29651.—1st June, 1911.—**STANLEY CARR**, of Bowen Street, Chatswood, Sydney, New South Wales, Clerk. Improvements in laundry appliances.

Extract from Specification.—Means for removing clothes from laundry-boilers in which provision is made, by a peculiarly constructed holder, for retaining the clothes during the boiling operation in such positions that ebullition-cavities will be naturally created as the clothes are first placed in the holder, thus dispensing wholly with the necessity for disturbing the clothes with the stirrer, as is usually done. Means are also provided for securing the suspending parts of the holder in such a position as will insure their being undisturbed and always readily accessible for the attachment of the lifting and removing appliance, which in this invention is of a kind peculiarly adapted for the speedy transport of the holder with but a comparatively small expenditure of energy. The said holder is provided with a self-contained means for tipping it and emptying the contents into the laundry-tubs. (Specification, 7s. 3d.)

[NOTE.—The above extract from the specification is inserted in place of the claims.]

No. 29653.—30th November, 1910.†—**THOMAS WILLIAM MESSENGER**, of Quorn, South Australia, Australia, Engineer. A combination ear-trumpet and hair-pad.

Claims.—(1.) A combination ear-trumpet and hair-pad comprising one or more trumpets having downwardly projecting ear-pieces, adapted to bear upon the side or sides of the head below the top of the forehead, connected and concealed by means of a suitable hair-pad or wig, substantially as described, and for the purpose indicated. (Specification, 5s. 3d.)

[NOTE.—Here follow two other claims.]

No. 29657.—1st June, 1911.—**THOMAS NAPLIER**, of Morning-side, Auckland, New Zealand, Manufacturer of Concrete Goods. An improved concrete drinking-trough.

Extract from Specification.—My invention provides a removable combined cover and partition by which an independent compartment is formed for said valve and ball float. (Specification, 1s. 3d.)

[NOTE.—The above extract from the specification is inserted in place of the claims.]

No. 29665.—2nd June, 1911.—**BERTRAM GEORGE AIKEN HARKNESS**, of Stratford, New Zealand, Engineer. Improvements in admission and delivery valves of air-pumps.

Extract from Specification.—The pump-suction is connected to a valve-casing having a socket whereto the vacuum-pipe is attached. A suction-valve attached to an arm pivoted at the side of the casing has a seating at the foot of the casing, and a delivery-valve attached to another pivoted arm has a seating in a branch formed upon the casing. (Specification, 2s.)

[NOTE.—The above extract from the specification is inserted in place of the claims.]

No. 29674.—5th June, 1911.—**HARRY EDWIN HALE**, of Palmerston North, New Zealand, Landscape Gardener. Improvements in garden draw and push hoes.

Claim.—The garden draw and push hoe comprising, in combination, an ordinary wooden handle engaging with a suitable iron or metal handle-holder, said handle-holder having a washer or collar, against which rests the blade-grip when fitted through either of the square holes in the crown or top thereof over a suitable square length of iron continued on from the said iron or metal handle-holder, said blade-grip carrying in the slots in its extremities the blade, and which said grip is held in position against the said washer or collar by means of a nut screwed on to a short screw attached to the said square length of iron, substantially as described. (Specification, 2s. 6d.)

No. 29680.—6th June, 1911.—**LEON DEVOS**, **ALFRED ADELBERG**, and **NICO SALOMON**, all of Hampden House, Kingsway, London, England, Manufacturers. Improved preparation and process for cleaning silver, electroplate, jewellery, and the like.

Extract from Specification.—The invention comprises preparing a weak heated solution of sodium and potassium carbonates, submerging the articles to be treated therein, bringing them into contact with an aluminium surface in the solution, and subsequently rinsing and drying them, as more particularly described. (Specification, 3s. 9d.)

[NOTE.—The above extract from the specification is inserted in place of the claims.]

No. 29684.—6th June, 1911.—**DONALD DONALD**, of Master-ton, New Zealand, Inventor. Improvements in wire-strainers.

Extract from Specification.—A grip having a cam-shaped member is provided with a tempered-steel grip-lock, which has a tail-piece adapted to be locked in a plurality of positions. The grip-block is thus adjustable to present a plurality of fresh gripping surfaces. (Specification, 3s.)

[NOTE.—The above extract from the specification is inserted in place of the claims.]

No. 29690.—7th June, 1911.—**GLOBE CHEMICAL WORKS**, a California Corporation, of 74 Newhall Building, San Francisco, California, United States of America (assignees of Stewart Woodford Young, of Palo Alto, Santa Clara, California aforesaid, Chemist). Fume-destroying composition.

Claims.—(1.) A fume-destroying compound containing ammonium-carbonate and a suitable oxidizing agent whereby on the explosion of the blast sufficient oxygen is released to effect complete combustion of the powder particles. (2.) A fume-destroying compound containing substantially two parts of ammonium-carbonate, or its equivalent, and approximately one part of a suitable oxidizing agent, substantially as described. (3.) A fume-destroying compound containing approximately two parts of ammonium-carbonate, or equivalent, and approximately two parts of chloride of lime, or its equivalent. (Specification, 3s. 9d.)

No. 29715.—13th June, 1911.—**PATRICK EDWARD CUNNINGHAM** and **REGINALD REID**, both of Chidlows Well, Contractors, and **VALENTINE MURE FITZ HUGH**, of Doodlakine, Farmer, all of Western Australia, Australia. Improved spark-arrester for locomotives.

Extract from Specification.—Consists in the use of rotatable fans or bladed wheels, which are so arranged and adapted as to be driven by the action of the exhaust steam. (Specification, 3s. 3d.)

[NOTE.—The above extract from the specification is inserted in place of the claims.]

No. 29716.—16th June, 1910.†—**EDWARD BAYNES BADCOCK**, of 7 Pembroke Crescent, London, England, Engineer. Improvements in or connected with internal-combustion liquid-pumps.

Claims.—(1.) An internal-combustion liquid-pump operating on a cycle comprising an initial pressure portion and a completing inductive portion, in the inductive portion of which an inflow of water is induced through a suction-way, and the entry of a fresh charge of mixture is induced through an admission-port, and in the reactionary stroke following the propulsive stroke the waste products of combustion are caused to be discharged and the fresh charge, if required, to be compressed prior to its ignition for a continuance of the cycle of action. (2.) An internal-combustion liquid-pump operating on a cycle as defined in the first claim, characterized by the fact that in the inductive portion of the propulsive stroke a fresh charge of mixture is caused to be induced and admitted into an area of the pump disposed above an exhaust below which the products of the ignited charge are swept, the exhaust being furnished with closure-means adapted to maintain it in a closed condition against the entry of air while the pressure in the pump during the propulsive stroke is above or below the external or atmospheric pressure, and

in the reactionary stroke to permit the free escape of the waste products through the exhaust until the closure means are acted upon by the impact of the returning water, the exhaust being maintained closed during the completion of the reactionary stroke, which, if required, may be utilized to compress the charge contained within the area disposed above the exhaust-port. (Specification, 5s. 3d.)

[NOTE.—Here follow three other claims.]

No. 29721.—14th June, 1911.—ALFRED JAMES D'ARCY, of Palmerston North, New Zealand, Coachbuilder. Improvements in beehives.

Claims.—(1.) In beehives, means for fastening the comb-frames in the sections containing them, consisting in the combination with the ledges upon which the frames are suspended, of a bar or bars extending at right angles across the tops of the frames in the section and fastened at its or their ends to the sides of the section, substantially as specified. (2.) The improvements in beehives, substantially as described and explained, as illustrated in the drawings, and for the purposes set forth. (Specification, 3s.)

No. 29722.—20th June, 1910.†—ARTHUR HENRY EDWARDS, of 4 Chapman Street, Moore Park, Sydney, New South Wales, Australia, Clerk. An attachment to forks for removing food or other material impaled thereon.

Extract from Specification.—The attachment for the purpose specified consists essentially of a pair of spring wire levers positioned on the back of the fork-shank and adapted to co-act with a wire rod having a terminal transverse offset loosely coiled about the fork-tines, or a terminal transverse plate fitting over the tines, whereby said terminal wire rod or plate may be moved forward to the points of the tines and remove any matter impaled thereon. (Specification, 2s. 6d.)

[NOTE.—The above extract from the specification is inserted in place of the claims.]

No. 29724.—15th June, 1911.—HENRY FENTON, of 6 James Avenue, Glebe Point, Sydney, New South Wales, Australia. An improved suspender-garter for stockings.

Claims.—(1.) A stocking-suspender garter comprising an under-knee and an over-knee garter-band with length adjusters and end clips, two connecting loops slidable over said bands, a hanger loop attached to the ends of the connecting loops, and a suspender with corset-tab clip and length-adjuster carrying the hanger loop. (2.) A stocking-suspender garter consisting essentially of band connected under-knee and over-knee garters, and a suspender therefrom attachable to a corset-tab. (Specification, 2s. 3d.)

[NOTE.—Here follows one other claim.]

No. 29726.—13th January, 1910.†—WILLIAM LINDSAY HAMILTON, of 39 Bothwell Street, Glasgow, Scotland, Hardware-merchant. Improvements in or connected with aerial or suspended railways.

Claims.—(1.) In aerial railways of the type to which this invention relates, comprising sections constructed from sheet metal, the provision of a metal rail or tread, substantially as described, with reference to Fig. 15 or 16 of the drawings. (2.) In aerial railways of the type to which this invention relates, comprising sections constructed from sheet metal, the provision of a filling associated with ties, substantially as described, with reference to Fig. 13 or 14 of the drawings. (3.) Sections for use in conjunction with railways of the type to which this invention relates, comprising an inverted channel the surface of which forms a way, upon which a bearing-wheel is adapted to run, having a flange adapted to travel in the channel formed between the rail and the suspender, substantially as described, with reference to Figs. 10, 11, 12, 13, or 14 of the drawings. (Specification 11s.)

[NOTE.—Here follow three other claims.]

Copies of drawings may be obtained at the uniform price of 1s. each. In exceptional cases this price may be increased at the discretion of the Office.

An asterisk (*) denotes the complete specification of an invention for which a provisional specification has been already lodged. A dagger (†) denotes a prior date under the International and Intercolonial Arrangements.

NOTE.—The cost of copying the specification has been inserted after the notice of each application. An order for a copy or copies should be accompanied by a post-office order or postal note for the cost of copying.

The date of acceptance of each application is given after the number.

Extracts from the drawings accompanying the foregoing complete specifications appear at the end of this Gazette.

J. C. LEWIS,
Registrar.

Provisional Specifications accepted.

Patent Office,
Wellington, 6th July, 1911.

APPLICATIONS for Letters Patent, with provisional specifications, have been accepted as under:—

- No. 29324.—F. H. Andrews, gun-sight.
No. 29350.—T. Napier, concrete-post fastener.
No. 29375.—S. B. Marchant, building-ridge cap.
No. 29549.—A. H. Wright, water-heating apparatus, &c.
No. 29556.—G. R. Hutcheson, floor and roof construction.
No. 29582.—J. M. Rowe, street-channel bridge.
No. 29613.—F. V. Raymond, metal-polishing apparatus.
No. 29619.—J. B. Robertson, lifeboat-lowering tackle.
No. 29620.—P. Phillips, billiard-table cushion.
No. 29621.—H. Drougege, spring seat.
No. 29629.—W. M. Nelson, tram-car.
No. 29636.—B. Y. Goring and M. McGurk, cover for bowls.
No. 29643.—W. H. and A. J. Jones, cooking-utensil.
No. 29659.—F. de J. Clere, concrete-construction form.
No. 29662.—H. K. McDougall, steam-propulsion.
No. 29663.—F. V. Raymond, fibre-treating apparatus.
No. 29667.—W. E. Hunter, cow's-tail holder.
No. 29671.—A. H. Wright and H. W. H. Wells, advertising-medium.
No. 29673.—J. H. Clarke, bird-trap.
No. 29675.—J. Skuse, boot-toe block.
No. 29686.—C. J. H. Thomson, flax-catcher.
No. 29689.—J. D. McLaren, wire-strainer.
No. 29692.—W. Fitzgerald, vermin-trap.
No. 29693.—G. L. Parrington, drawing-board and fittings.
No. 29697.—J. A. Walker, sash-frame.
No. 29698.—J. E. Bullen, garden syringe.
No. 29699.—E. McSweeney, utensil-cleaner.
No. 29703.—M. E. Budge, cotton-unreeling prevention.
No. 29704.—M. A. Trent, coffee and milk urn.
No. 29706.—W. Lewis, acetylene lamp and generator.
No. 29707.—R. McGaffin, earth-loader.
No. 29711.—J. E. Friend, explosion motor.
No. 29712.—G. D. and A. P. F. Watson, fence-standard.
No. 29719.—F. V. Raymond, flax-dresser.
No. 29727.—J. H. P. Hendriksen, ship's hatch-cover securing.
No. 29728.—J. H. P. Hendriksen, ship's hatch-cover securing.
No. 29730.—A. Cooper, plough-gear.
No. 29731.—A. Crawford, dust-bin.
No. 29732.—H. M. Keesing, preserve, &c., jar.
No. 29739.—C. J. Cooze, vermin-trap.
No. 29740.—V. F. Clark, note-book.

[NOTE.—Provisional specifications cannot be inspected, or their contents made known by this office in any way, until the complete specifications in connection therewith have been accepted.]

Letters Patent sealed.

LIST of Letters Patent sealed from the 21st June to the 28th June, 1911, inclusive:—

- No. 27007.—J. Bain, drill, grubber, &c.
No. 27107.—J. Johnston, engine-driving gear.
No. 27205.—S. V. Fulljames, tank-flange.
No. 27296.—C. Mills, preventing flies from settling.
No. 27316.—J. Wilson, concrete-road construction.
No. 27343.—F. J. McDonald, valve.
No. 27370.—A. R. Craddock, flooring-crimp grip.
No. 27372.—T. J. Watson and J. McIntyre, harrow.
No. 27388.—J. W. Walker, music-turner.
No. 27389.—J. Gray, plough.
No. 27393.—E. J. Chilton, closet-flush.
No. 27400.—W. A. McNaught, wool-classing chart.
No. 27421.—A. G. Tomkies, metal-cutter.
No. 27428.—W. T. Cowperthwaite, concrete-block machine.
No. 27440.—R. B. Witty, fruit-grader.
No. 27444.—S. Waters, flash-signal shutter.
No. 27454.—C. Neff and A. Brandes, boiler-incrustation preventer.
No. 27491.—K. M. Fraser, aeroplane.
No. 27497.—W. Stokes, jun., fire-alarm.
No. 27514.—N. J. Daysh, milking-machine pulsator.
No. 27601.—N. J. Daysh, teat-cup.
No. 27607.—T. H. Easterfield and C. M. Taylor, preparation of ketones.
No. 27673.—C. Suttie and M. H. Wynyard, flax-catcher.
No. 28060.—United Shoe Machinery Company, die. (T. Lund.)
No. 28061.—United Shoe Machinery Company, top-lift. (T. Lund.)
No. 28107.—United Shoe Machinery Company, sole-operating machine. (F. E. Bertrand.)
No. 28108.—United Shoe Machinery Company, trimming-machine. (F. H. Perry.)

- No. 28247.—C. A. Oldman, carbide-tin sealing.
 No. 28421.—C. C. Neal, milk-strainer, &c.
 No. 28715.—A. Bruno, bedstead-frame.
 No. 28729.—J. R. Milson, wool-cleaning machine.
 No. 28775.—E. Hayes, wire-grip.
 No. 28849.—C. C. Coates, wire-stays. (Spirella Company—M. M. Beeman.)
 No. 29034.—E. Dapino, gas-generation.
 No. 29059.—A. G. P. and A. S. P. Brookfield, internal-combustion engine.
 No. 29064.—J. H. Ormond, filter-cooler. (W. S. Hart.)
 No. 29091.—C. Honour, can.
 No. 29099.—McKieman-Terry Drill Company, percussive tool. (C. H. Haeseler.)
 No. 29100.—J. E. Wood, display apparatus.
 No. 29108.—J. Moyes and C. A. Stevenson, signalling apparatus.
 No. 29124.—McKenzie and Holland, Limited, and W. A. Pearce, railway signal.
 No. 29125.—M. and J. H. White, gas-generator.
 No. 29135.—E. J. M. Madero, rotary engine.
 No. 29139.—Standard Light Company, vapour-generator, &c. (H. M. Conner.)
 No. 29159.—A. F. Berry, electrical transmission.
 No. 29189.—G. North, electric meter.
 No. 29190.—E. S. Miller, street-car fender.
 No. 29192.—S. A. Horstmann, vehicle-wheel.
 No. 29196.—F. Deimel, igniter through a spark.
 No. 29198.—J. J. Shuttleworth, obtaining artistic effects on pictures.
 No. 29218.—N. Testrup, peat-carbonizing.

Letters Patent on which Fees have been paid.

[NOTE.—The dates are those of the payments.]

SECOND-TERM FEES.

- N**O. 22991.—A. Hare, gas, &c., valve operating. 3rd July.
 No. 23050.—J. L. Campbell, plastic-material-moulding machine. 23rd June.
 No. 23075.—J. J. Keppel, flax-stripper, 29th June.
 No. 23083.—R. White, ointment. 1st July.
 No. 23195.—M. E. McLeod, dress-cutting chart. 23rd June.
 No. 23206.—W. E. Hughes, razor. (H. J. Gaisman.) 28th June.
 No. 23258.—K. I. Linstrom, milking-apparatus. 6th July.
 No. 23339.—International Marine Signal Company, Limited, fog-signal apparatus. (T. L. Willson.) 21st June.
 No. 23505.—A. R. Wilfey and J. Seep, ore-roaster. 23rd June.

THIRD-TERM FEES.

- No. 17822.—A. H. Wright, franking-machine. (R. Wales.) 3rd July.
 No. 18099.—G. Moore, filter. 29th June.

Subsequent Proprietors of Letters Patent registered.

[NOTE.—The name of the former proprietor is given in brackets; the date is that of registration.]

- N**O. 17718.—James McKerras, Commercial Traveller, and Herbert William Heath, Draper's Salesman, both of Auckland, New Zealand, registered as proprietors for part of the Provincial District of Auckland. Method of printing music, and stave therefor. (W. H. Farne—W. E. Naunton and T. C. Palmer.) 3rd July, 1911.
 No. 26633.—Edwin Clark, of Symonds Street, Auckland, New Zealand, Accountant, registered as proprietor of the right, title, and interest of William O'Brien. Ice-chest. (W. O'Brien and H. M. Clark.) 7th July, 1911.
 No. 27329.—Charles Champion Laurie, of Mount Eden Road, Auckland, New Zealand, Manufacturer. Brush or broom making. (W. Findlay.) 26th June, 1911.

Notice of Request to amend Specification.

Patent Office,
 Wellington, 6th July, 1911.

REQUEST for leave to amend the undermentioned application for Letters Patent has been received, and is open to public inspection at this office. Any person may, at any time from one month from the date of this *Gazette*, give me notice in writing of opposition to the amendments. Such notice must set forth the particular grounds of objection, and be in duplicate. A fee of 10s. is payable thereon.

No. 17822.—A. H. Wright, franking-machine. (R. Wales.) (Advertised in Supplement to *New Zealand Gazette*, No. 71, of the 27th July, 1905.)

The nature of the proposed amendments is as follows:—

- (1.) After the words "paid thereon," line 16, page 1, to insert the following paragraph:—
 "I am aware of Codd's British specification accompanying his application for Patent No. 1153, of 1881, and that other forms of franking-machines were known prior to my invention, and I do not claim such machines broadly as my invention, but I do claim my machine as a whole as described in my specifications, and I also claim the subordinate parts of the machine as claimed in the claiming clauses of this specification."
- (2.) To strike out the words "The leading feature of the invention is the provision of a series of handles adapted to operate franking mechanism, each of," lines 17, 18, 19, page 1, and to insert instead "The invention comprises franking mechanism."
- (3.) To insert the word "this" in place of the words "these handles and," line 23, page 1; and to omit the words "also" and "by each," line 26, page 1.
- (4.) To omit the words "of the handles," line 1, page 2; the words "by a system of levers operated by the push or pull of each of the handles separately," lines 11, 12, 13, page 2; and the words "of each stamp," line 26, page 2.
- (5.) To insert "a" in place of "the," line 13, page 2.
- (6.) To omit the words "Instead of a series of handles the same effect may be secured by equivalent mechanism—namely, one," lines 19 and 20, page 3; to insert "A" before "handle," and "arranged" before "that," line 21, page 3; and to omit the word "also," line 24, page 3.
- (7.) After the words "front of the machine," line 3, page 4, to insert the following sentences: "Figure 5 is a section elevation of guides, Figure 6 is a sectional elevation of a plunger and its spring, Figure 7 is a sectional elevation of a reversing-pinion, Figure 8 is an elevation of a pinion, and Figure 9 is a perspective view of a lever."
- (8.) To insert the words "plungers and" before "dies," line 8, page 4, and after the word "guides," line 9, page 4, to insert the following:—
 "5A and 5B. The guides consist of an upper and lower bar, indicated at (5A), and a rear plate (5B) having a rib (5c) projecting forward horizontally and engaging a portion of the under-surface of the plunger-bar (5). There is."
 (9.) To omit the words "and has," line 10, page 4; and to insert "bar 5" instead of "guides," line 10, page 4.
 (10.) To insert "the spindle 21" instead of "a spindle," line 30, page 4; and "(Figure 2)" after "63," and "of" instead of "or," line 33, page 4.
 (11.) After the words "segmental plate," line 8, page 5, to insert the following:—
 "Any well-known free-wheel mechanism may be adapted, a suitable movement is illustrated in Figs. (7) and (8), in which the pinion is indicated at (25). The pinion is mounted on a hub-piece (25B) which is securely fixed to the spindle (25A), a portion of the hub-piece is mortised at (25E), and a pawl (25F) fitted therein on a pivot (25A). The pawl is adapted to engage with ratchet-teeth (25C) formed in the annular space removed in the pinion for the purpose. A spring (25H) retains the pawl (25F) normally projected in a gullet of the ratchet, its point engaging with a tooth. There is a screwed cap-piece (35D) provided to couple the pinion (25) to its hub (25B), holes (25G) are provided in the cap-piece (25D) to engage with a podger-spanner for the purpose of screwing the cap-piece in position; in reversing, the pawl rides the ratchet-teeth and the pinion revolves freely on its spindle (25A)."
 (12.) After "cam-wheel 26," line 9, page 5, insert the following: "which consists of a disc having a series of cams projecting from its periphery"; after "pulley," line 11, page 5, insert "(26A)," and omit the words "on which," line 10, page 5.
 (13.) To insert "the single" in place of "one," line 1, page 6; "53" instead of "55," line 12, page 6; and "28" instead of "26," line 24, page 6.
 (14.) After "(59)," line 8, page 7, insert "Figure 3," and after "(39)," line 9, page 7, insert "Figure 1."
 (15.) After "zero," line 1, page 8, insert "a lug (41A) projecting from the nut 56 engaging with a slot (41B) to prevent the nut from turning."
 (16.) To omit the first claim, lines 4 to 7, page 9, and to insert instead the following claim:—
 "1. The franking machine as a whole as described in this specification and as illustrated in the drawings."
 (17.) After the fourth claim, page 9, to add the following claims, numbered 5, 6, 7, 8, and 9:—
 "5. In franking-machines of the kind described, an indicator operated by a spindle which is operated by push or pull mechanism of each stamp and by intermediate toothed-wheel gearing so arranged as to operate the indicator to correspond to and record the amounts indicated upon the stamps, substantially as set forth.
 "6. In franking-machines of the kind described, registering apparatus, with external indicator, adapted to be set to a fixed desired amount beyond which no franking can be obtained, substantially as set forth.

"7. In franking-machines of the kind described, registering apparatus, with external indicator, adapted to be set to a fixed desired amount, and whereby zero is denoted and the franking mechanism locked when the fixed desired amount is exhausted, substantially as set forth.

"8. In franking-machines of the kind described, a catch which automatically falls into place and locks the mechanism when the last stroke of an operating-handle brings an indicator to zero, substantially as set forth.

"9. In franking-machines of the kind described, a spring-operated slidable plunger carrying a stamping-die and a handle for operating the plungers, substantially as set forth."

(18.) To add five figures, numbered 5, 6, 7, 8, 9, to the drawings.

The applicant states, "My reasons for making the amendment are as follow: To explain certain parts of the invention more in detail, and more clearly define the novel features."

J. C. LEWIS,
Registrar.

Request for Amendment of Application for Letters Patent allowed.

THE request to amend application for Letters Patent No. 28157—J. E. Frost and S. Salek (advertised in Supplement to *New Zealand Gazette*, No. 46, of the 1st June, 1911)—has been allowed.

Request for Correction of Clerical Errors in Application for Letters Patent allowed.

THE request to correct clerical errors in applications for Letters Patent Nos. 27752 and 27753—O. H. Stapelfeldt, gas-lamp (advertised in Supplement to *New Zealand Gazette*, No. 42, of the 18th May, 1911)—have been allowed.)

Applications for Letters Patent opposed.

NOTICES of opposition have been filed in the following cases:—

No. 29052.—W. E. Brown, milk-separator, opposed by J. Ingram.
No. 29488.—W. L. Johnstone and A. Hosking, pasteurizer, opposed by E. D. Berry.

Applications for Letters Patent abandoned.

LIST of applications, with which provisional specifications only have been filed, abandoned (i.e., complete specifications not lodged) from the 23rd June to the 6th July, 1911, inclusive:—

No. 28309.—F. V. Raymond, medicine and ointment.
No. 28310.—F. V. Raymond, leather-polish.
No. 28311.—F. V. Raymond, hair and fibre die.
No. 28312.—F. V. Raymond, metal, &c., polish.
No. 28313.—F. V. Raymond, paint, &c.
No. 28314.—F. V. Raymond, sheets and boards for polishing.
No. 28315.—F. V. Raymond, flax-waste utilizing.
No. 28316.—R. McMullan, aeroplane-balance.
No. 28327.—A. Campbell, T. H. Gillman, and H. D. F. James, fibre-production.
No. 28329.—E. Moss, paper-folder.
No. 28331.—C. E. Fisher, axle-box lubricator.
No. 28338.—O. Olsen, brooch-pin lock.
No. 28339.—J. B. Robertson, boat-lowering device.
No. 28340.—G. F. Allen, show-card.
No. 28344.—H. F. Chaffey, kettle.
No. 28345.—C. H. Sinclair, W. Woods, H. B. Schrotke, and M. Von, wire-weaving machine.
No. 28348.—G. Massey, sheep-shearing machine.
No. 28349.—J. J. Packer, milking-machine.
No. 28356.—J. A. Walker, window-sash.
No. 28357.—H. A. Glass, railway signal.
No. 28358.—H. T. Heron and E. Rowe, lawn-trimmer.
No. 28360.—C. A. Oldman, accumulator-attachment.
No. 28364.—J. Littleton, fluid-pressure engine.
No. 28369.—A. Goodwin, milking-bucket.
No. 28370.—W. H. Denton, hobble.
No. 28371.—A. R. Agnew, spouting-machine.
No. 28373.—W. Beamish, water-flush.
No. 28374.—F. McMurray, hand-shears.
No. 28379.—J. E. Batey, pasteurizer.
No. 28380.—M. Friar and V. C. Richards, sewing-machine beltting.
No. 28381.—A. J. Shaw, gold-obtaining.
No. 28390.—J. H. Suckling, motor-engine.

Applications for Letters Patent void.

APPLICATIONS for Letters Patent, with which complete specifications have been lodged, void owing to non-acceptance of such complete specifications, from the 23rd June to the 6th July, 1911, inclusive:—

No. 27467.—H. P. Little, aeroplane.
No. 27471.—A. Falkner, building-construction.
No. 27495.—S. E. Bell, kettle.
No. 27506.—M. Alcorn, food, &c., heater.

Applications for Letters Patent lapsed.

APPLICATIONS for Letters Patent lapsed, owing to Letters Patent not being sealed, from the 24th June to the 6th July, 1911, inclusive:—

No. 27090.—D. P. Palmer, folding chair.
No. 27111.—J. P. Carmine, tea-infuser.
No. 27115.—E. A. G. Hamlin, ice-chest.
No. 27116.—J. Laffey and D. L. Hutton, water-main motor.

Letters Patent void.

LIST of Letters Patent void through non-payment of renewal fees, and through expiry of term of fourteen years, from the 24th June to the 6th July, 1911, inclusive:—

THROUGH NON-PAYMENT OF SECOND-TERM FEES.

No. 22599.—H. A. Adams, document-file.
No. 22605.—G. E. Woodbury, ore-concentrator.
No. 22606.—International Sand Blast Company, sand-blast apparatus. (W. H. Kelly.)
No. 22607.—F. W. Barton, cellar-lift.
No. 22620.—J. P. Horner, shaft-tug.
No. 22623.—F. A. Kjellin, metal-reducing furnace.
No. 22624.—J. H. Warren, T. Blades, and J. Wren, railway signalling.
No. 22625.—E. S. Baldwin and H. H. Rayward, rifle-sight. (Sutherland Rifle Sight Company, Limited—M. E. Sutherland.)
No. 22630.—E. H. Clift, internal-combustion engine.
No. 22633.—E. Goltstein, capsule.
No. 22640.—T. Tait, fencing-dropper.
No. 22642.—L. and D. H. Burrell, shaft-mounting. (M. L. Hoyt.)
No. 22648.—T. H. Davidson, flax-scraper.
No. 22649.—F. W. Payne, ram.
No. 24118.—E. E. Clover, washing-apparatus.
No. 24124.—L. Hardaker, wheel.

THROUGH NON-PAYMENT OF THIRD-TERM FEES.

No. 17707.—G. T. Adam, breeching-strap.
No. 17715.—A. Mole, window-sash hanging.
No. 17717.—J. F. Linke and M. S. Noack, plough.
No. 17721.—A. J. L. Eckersley, soda-water controller.
No. 17728.—F. J. S. Hutchinson, cleansing-fluid.
No. 17740.—H. R. Worthington, pump. (F. Ray.)
No. 17752.—Société des Produits Chimiques et d'Explosifs, Berges, Corbin, and Cie, explosive. (E. A. G. Street.)
No. 13888.—J. H., H. B., and E. R. Butler, saddle-tree. (R. A. C. Russell.)

THROUGH EXPIRY OF TERM.

No. 9628.—A. Raky, boring-apparatus.
No. 9641.—C. C. Wakefield, lubricator.

Design registered.

DESIGN has been registered in the following name on the date mentioned:—

No. 561.—Stewart Timber, Glass, and Hardware Company, Limited, Wellington, N.Z. Class 1.

Applications for Trade Marks filed.

LIST of applications for registration of Trade Marks filed from the 24th June to the 6th July, 1911, inclusive:—

Nos. 9726 and 9727.—21st June.—Locke, Blackett, and Co., Limited, Newcastle-upon-Tyne, Eng. Class 1.
Nos. 9728 and 9729.—21st June.—New York and London Drug Company, New York, U.S.A. Classes 3 and 48.
No. 9730.—23rd June.—R. Collier, Clinton, N.Z. Class 3.
No. 9731.—23rd June.—Birmingham Small-arms Company, Limited, Birmingham, Eng. Class 19.
Nos. 9732, 9733, and 9734.—23rd June.—Daimler Motoren-Gesellschaft, Stuttgart, Ger. Classes 6, 13, and 22.

No. 9735.—23rd June.—A. Adams and Co., Melbourne, Vic. Class 13.
 Nos. 9736, 9737, and 9738.—26th June.—J. Neil, Limited, Dunedin, N.Z. Classes 3, 42, and 44.
 No. 9739.—28th June.—Stewart Timber, Glass, and Hardware Company, Limited, Wellington, N.Z. Class 12.
 No. 9740.—29th June.—Bar-Lock Typewriter Company, Limited, London, Eng. Class 6.
 Nos. 9741 and 9742.—29th June.—E. B. Davies, "The Davies Pharmacy," Wanganui, N.Z. Classes 3 and 48.
 No. 9743.—29th June.—British-American Tobacco Company, Limited, London, Eng. Class 45.
 Nos. 9744 and 9745.—30th June.—North British Rubber Company, Limited, Edinburgh, Scot. Class 40.
 No. 9746.—30th June.—C. A. W. Hargraves, and F. C. P. Fiddy, Gisborne, N.Z. Class 5.
 No. 9747.—30th June.—Irvine and Stevenson's St. George Company, Limited, Dunedin, N.Z. Class 42.
 No. 9748.—1st July.—Canterbury (N.Z.) Seed Company, Limited, Christchurch, N.Z. Class 42.
 No. 9749.—1st July.—L. Dillimore, Auckland, N.Z. Class 13.
 No. 9750.—3rd July.—F. Whitlock and Sons, Wanganui, N.Z. Class 42.
 No. 9751.—4th July.—A. Ellis and W. Peberdy, Auckland, N.Z. Class 50.
 No. 9752.—4th July.—W. Symington and Co., Limited, Market Harborough, Eng. Class 42.
 No. 9753.—4th July.—W. Douglass, "W. C. Douglass," Sydney, N.S.W. Class 42.
 Nos. 9754 and 9755.—4th July.—Lister and Co., Limited, Bradford, Eng. Class 30.
 No. 9756.—4th July.—J. W. Jack, Wellington, N.Z. Class 50.

Applications for Registration of Trade Marks.

Patent Office,
 Wellington, 6th July, 1911.

A PPLICATIONS for registration of the following Trade Marks have been received. Notice of opposition to the registration of any of these applications may be lodged at this office within two months of the date of this *Gazette*. Such notice must be in duplicate, and accompanied by a fee of £1.

No. of application: 9547.
 Date: 10th April, 1911.

TRADE MARK.

The word

CO-COOLA.

The essential particular of this trade mark is the word "Co-Coola."

NAME.

JAMES NEIL, LIMITED, of 108 George Street, Dunedin, in the Dominion of New Zealand.

No. of class: 44.
 Description of goods: Mineral and aerated waters.

No. of application: 9609.
 Date: 4th May, 1911.

TRADE MARK.

The word

PLASOLIN.

The essential particular of this trade mark is the word "Plasolin."

NAME.

THE AUCKLAND FIBROUS PLASTER COMPANY, LIMITED, of Auckland, in the Dominion of New Zealand.

No. of class: 17.
 Description of goods: All goods included in that class.

[NOTE.—Class 17 is for "Manufactures from mineral and other substances for building or decoration."]

No. of application: 9621.
 Date: 10th May, 1911.

TRADE MARK.



The essential particulars of this trade mark are the design and the word "Kortfelt"; and any right to the exclusive use of the words "Patent Paving Material manufactured in New Zealand" is disclaimed.

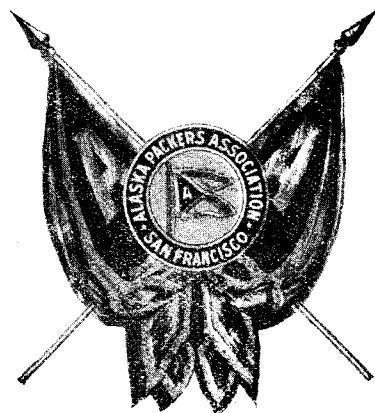
NAME.

ALBERT HUGO KORTH, of Onslow Road, Kingsland, Auckland, in the Dominion of New Zealand, Contractor.

No. of class: 17.
 Description of goods: A paving material made of sawdust, shavings, and coal-tar.

No. of application: 9706.
 Date: 7th June, 1911.

TRADE MARK.



The essential particular of this trade mark is the device; and any right to the exclusive use of the letter "A" is disclaimed.

NAME.

ALASKA PACKERS' ASSOCIATION, of San Francisco, California, United States of America, Fish-curers.

No. of class: 42.
 Description of goods: Tinned or canned, dried and preserved salmon, and other tinned or canned, dried and preserved fish, fish-paste, and fish-sauces.

No. of application: 9710.
 Date: 9th June, 1911.

TRADE MARK.

The word

KLENITOFF.

NAME.

ALFRED NORMAN RICKMAN, trading as "The Rickman Laboratory," of 466 Cumberland Street, Dunedin, in the Dominion of New Zealand.

No. of class: 48.
 Description of goods: Toilet soap and all other articles included in this class.

No. of application: 9712.
Date: 13th June, 1911.

TRADE MARK.

VERITOR

NAME.

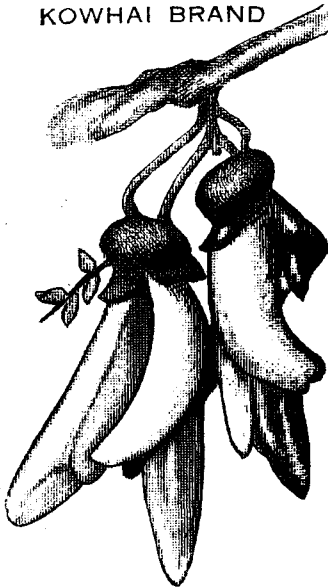
THE UNITED DISTILLERIES, LIMITED, of Imperial Buildings, 72 High Street, Belfast, Ireland, Distillers.

No. of class: 43.
Description of goods: Whisky.

No. of application: 9716.
Date: 15th June, 1911.

TRADE MARK.

KOWHAI BRAND



The essential particulars of this trade mark are the device and the word "Kowhai"; and any right to the exclusive use of the added matter is disclaimed.

NAME.

JAMES BAILLIE, of Hamilton, Waikato, in the Dominion of New Zealand, Chemist.

No. of class: 3.
Description of goods: All goods included in this class.

No. of application: 9726.
Date: 21st June, 1911.

TRADE MARK.

LOCKE BLACKETT & CO

The essential particular of this trade mark is the distinctive brand.

NAME.

LOCKE, BLACKETT, AND CO., LIMITED, of Gallowgate, New-castle-upon-Tyne, England, Lead-manufacturers.

No. of class: 1.
Description of goods: Ground white-lead, dry white-lead, dry red-lead, orange-lead, and litharge.

No. of application: 9728.
Date: 21st June, 1911.

TRADE MARK.

The word

NYAL'S.

The essential particular of the trade mark is as follows—the word "Nyal's."

NAME.

NEW YORK AND LONDON DRUG COMPANY, of 108 John Street, New York, in the United States of America, Manufacturers.

No. of class: 3.
Description of goods: Chemical substances prepared for use in medicine and pharmacy.

No. of application: 9729.
Date: 21st June, 1911.

TRADE MARK.

The word

NYAL'S.

The essential particular of the trade mark is as follows—the word "Nyal's."

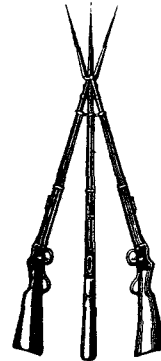
NAME.

NEW YORK AND LONDON DRUG COMPANY, of 108 John Street, New York, in the United States of America, Manufacturers.

No. of class: 48.
Description of goods: Perfumery, including toilet articles, preparations for the teeth and hair, and perfumed soap.

No. of application: 9731.
Date: 23rd June, 1911.

TRADE MARK.



NAME.

THE BIRMINGHAM SMALL ARMS COMPANY, LIMITED, of Armoury Road, Small Heath, Birmingham, England, Manufacturers.

No. of class: 19.
Description of goods: Small arms and their component parts, fittings, and accessories, including military rifles, match rifles, sporting rifles and guns, cadet and miniature rifles, and air-rifles, and shot-guns, and rifle-barrels.

No. of application: 9736.
Date: 26th June, 1911.

TRADE MARK.

The word

KORNOS.

The essential particular of this trade mark is the coined word "Kornos."

NAME.

JAMES NEIL, LIMITED, of 108 George Street, Dunedin, in the Dominion of New Zealand.

No. of class: 3.
Description of goods: Medicines.

No. of application: 9742.
Date: 29th June, 1911.

TRADE MARK.

The word

UHLNO.

NAME.

ERNEST BERTRAM DAVIES, of Wanganui, in the Dominion of New Zealand, Chemist, trading as "The Davies Pharmacy."

No. of class: 48.
Description of goods: Tooth paste and powder.

No. of application: 9747.
Date: 30th June, 1911.

TRADE MARK.

The words

PETER PAN.

NAME.

IRVINE AND STEVENSON'S ST. GEORGE COMPANY, LIMITED, of Box 113, Dunedin, in the Dominion of New Zealand.

No. of class: 42.

Description of goods: Pickles, sauces, vinegars, spices, jams, jellies, peel, preserved meats and fish.

No. of application: 9748.
Date: 1st July, 1911.

TRADE MARK.

BULL DOG



BRAND

The essential particulars of this trade mark are the device and the words "Bull Dog"; and any right to the exclusive use of the added matter is disclaimed.

NAME.

THE CANTERBURY (N.Z.) SEED COMPANY, LIMITED, of 206-8 Cashel Street, Christchurch, in the Dominion of New Zealand, Seed and Grain Merchants.

No. of class: 42.

Description of goods: Cereals.

No. of application: 9752.
Date: 4th July, 1911.

TRADE MARK.

The word

SALANAISE.

NAME.

W. SYMINGTON AND CO., LIMITED, of Bowden Steam Mills, Market Harborough, England, Millers and Manufacturers.

No. of class: 42.

Description of goods: Substances used as food or as ingredients in food.

No. of application: 9754.
Date: 4th July, 1911.

TRADE MARK.



The applicants claim that the said trade mark has been used by them and their predecessors in business in respect of the article mentioned prior to January, 1890.

NAME.

LISTER AND CO., LIMITED, of Manningham Mills, Bradford, England.

No. of class: 30.

Description of goods: Silk.

No. of application: 9755.
Date: 4th July, 1911.

TRADE MARK.



The applicants claim that the said trade mark has been used by them and their predecessors in business in respect of the article mentioned prior to January, 1890.

NAME.

LISTER AND CO., LIMITED, of Manningham Mills, Bradford, England.

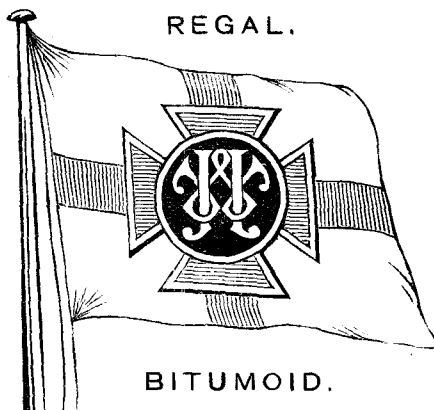
No. of class: 30.

Description of goods: Silk.

No. of application: 9756.
Date: 4th July, 1911.

TRADE MARK.

REGAL.



BITUMOID.

The essential particulars of this trade mark are the words "Regal" and "Bitumoid," and the distinctive devices; and any right to the exclusive use of the added matter is disclaimed.

NAME.

JAMES WHITSON JACK, of Wellington, in the Dominion of New Zealand, Importer.

No. of class: 50.

Description of goods: Roofing and weatherproofing felt, papers, and like materials, whether treated or untreated with asphaltum, bitumen, and the like.

J. C. LEWIS,
Registrar.

Trade Marks registered.

LIST of Trade Marks registered from the 24th June to the 6th July, 1911, inclusive:—

- No. 7520/8999.—Garland Limited. Class 42. (*Gazette* No. 86, of the 7th September, 1910.)
- No. 7521/8816.—Triumph Cycle Company, Limited. Class 6. (*Gazette* No. 93, of the 20th October, 1910.)
- No. 7522/9074.—Triumph Cycle Company, Limited. Class 39. (*Gazette* No. 97, of the 3rd November, 1910.)
- No. 7523/9454.—Ellis and Manton. Class 47. (*Gazette* No. 28, of the 6th April.)
- No. 7524/9541.—G. P. Donnelly. Class 4. (*Gazette* No. 33, of the 20th April.)
- No. 7525/8830.—E. Martelli. Class 45. (*Gazette* No. 49, of the 14th July, 1910.)
- No. 7526/8832.—H. E. Lonsdale. Class 14. (*Gazette* No. 33, of the 20th April.)
- No. 7527/9445.—Anderson and Miskin. Class 42. (*Gazette* No. 33, of the 20th April.)
- No. 7528/9511.—Allmänna Svenska Elektriska Aktiebolaget. Class 6. (*Gazette* No. 33, of the 20th April.)
- No. 7529/9447.—Langguth and Co. Class 42. (*Gazette* No. 33, of the 20th April.)

No. 7530/9518.—H. E. Lonsdale. Class 14. (*Gazette* No. 33, of the 20th April.)

No. 7531/9551.—J. E. Pickles and Co. Class 24. (*Gazette* No. 33, of the 20th April.)

Nos. 7532/9552, 7533/9553, and 7534/9554.—E. H. Hardy. Class 47. (*Gazette* No. 33, of the 20th April.)

No. 7535/9557.—C. J. Van Houten and Zoon. Class 42. (*Gazette* No. 33, of the 20th April.)

No. 7536/9558.—Oban Patent Neck-wear, Limited. Class 38. (*Gazette* No. 33, of the 20th April.)

No. 7537/9343.—J. L. Lennard. Class 42. (*Gazette* No. 33, of the 20th April.)

No. 7538/8843.—A. H. Wright and N. S. McNab. Class 6. (*Gazette* No. 69, of the 14th July, 1910.)

No. 7539/9498.—W. Flatt. Class 1. (*Gazette* No. 33, of the 20th April.)

No. 7540/9350.—The Ridgway Society. Class 3. (*Gazette* No. 33, of the 20th April.)

Nos. 7541/9526 and 7542/9527.—J. Watson and Co., Limited. Class 43. (*Gazette* No. 33, of the 20th April.)

Trade Mark Renewal Fees paid.

FEES paid for the renewal of the undermentioned Trade Marks for fourteen years from the date first mentioned:—

No. 2035/1641.—24th June, 1911.—The National Cigarette Company of Australasia Proprietary, Limited, Melbourne, Vic. 23rd June, 1911.

No. 2093/1765.—20th August, 1911.—G. T. K. McKenzie, Dunedin, N.Z. 27th June, 1911.

Nos. 2098/1687 and 2099/1688.—25th August, 1911.—W. and J. Staples and Co., Wellington, N.Z. 3rd July, 1911.

Trade Marks removed from the Register.

TRADE Marks removed from the Register owing to the non-payment of the renewal fee, from the 24th June to the 6th July, 1911, inclusive:—

No. 1939/1579.—25th March, 1897.—Jameson, Anderson, and Co., Christchurch, N.Z. Class 42.

No. 1940/1547.—25th March, 1897.—F. Hallam and Son, Limited, Burton-on-Trent, Eng. Class 42.

No. 1946/1556.—1st April, 1897.—D. C. McIntyre and Co., Christchurch, N.Z. Class 3.

No. 1948/1607.—1st April, 1897.—Middlebrook and Stone, Sydney, N.S.W. Class 42.

Subsequent Proprietor of Trade Marks registered.

[NOTE.—The name of the former proprietor is given in brackets; the date is that of registration.]

NOs. 3589/2829 and 3590/2795.—Dyason's Proprietary, Limited, whose registered office is at the corner of Wellington and Dorsets Streets, Collingwood, Victoria, Australia, Manufacturers. (J. P. Dyason.) 27th June, 1911.

Applications for Trade Marks opposed.

NOTICES of opposition have been filed in the following cases:—

No. 8876.—Reckitts (Oversea) Limited, opposed by Lever Bros., Limited.

No. 9274.—Dunlop Rubber Company, of Australasia, Limited, opposed by F. Reddaway and Co., Limited.

No. 9683.—Westminster Tobacco Company, Limited, opposed by the British American Tobacco Company, Limited.

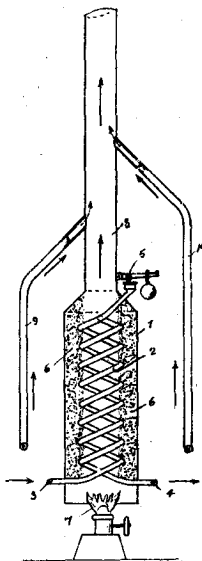
Application for Restoration of Trade Marks to the Register.

APPLICATION has been made for the restoration to the Register of the following Trade Marks, the entries of which have been cancelled owing to the non-payment of the renewal fees, payment of which, it is stated, was inadvertently overlooked by the proprietors:—

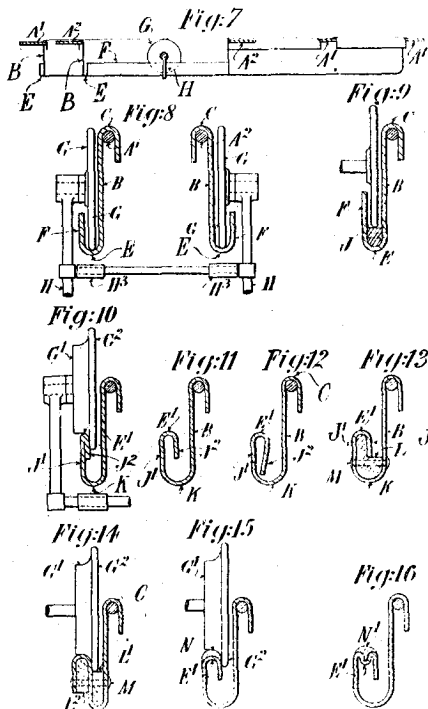
Nos. 1884/1520 and 1885/1521.—W. Scouler and Co., of Dunedin, N.Z. (Advertised in Supplement to *New Zealand Gazette*, No. 7, of the 21st January, 1897.)

ILLUSTRATIONS OF INVENTIONS.

[These illustrations refer to the complete specifications accepted, and advertised in this Gazette.]



Water Heater. Paterson. 27987



Railway, aerial. Hamilton. 29726.

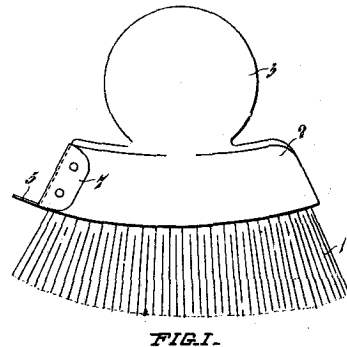


FIG. 1.

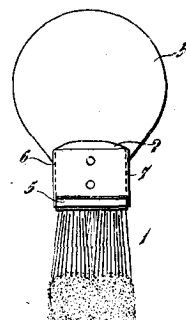
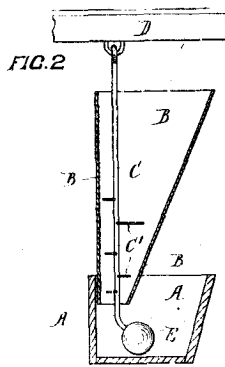
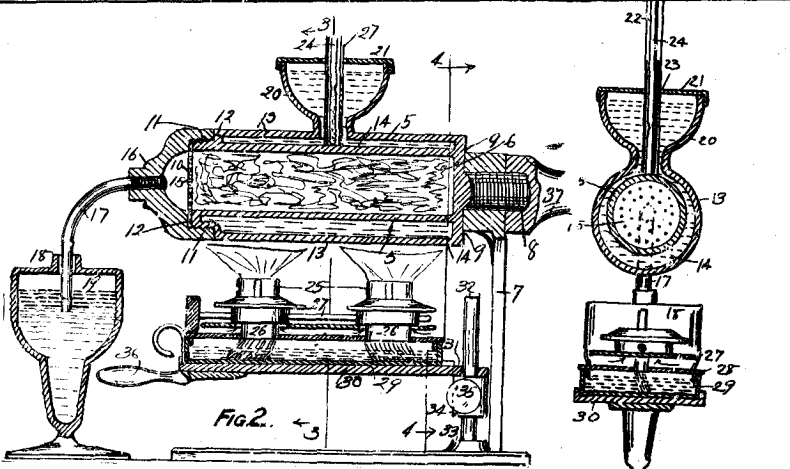


FIG. 2.

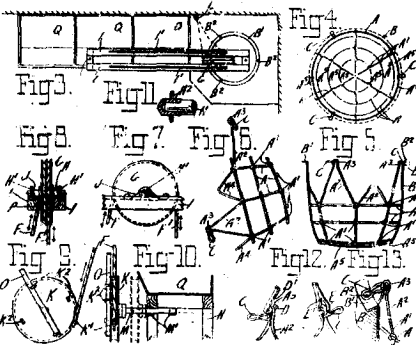
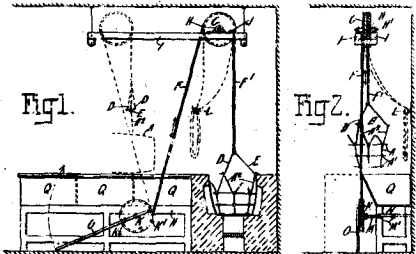
Pot scraper and Brush. Stewart. 28437.



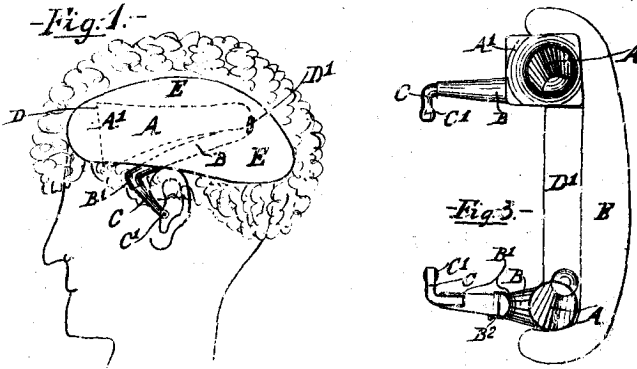
Manger. Parker. 28050



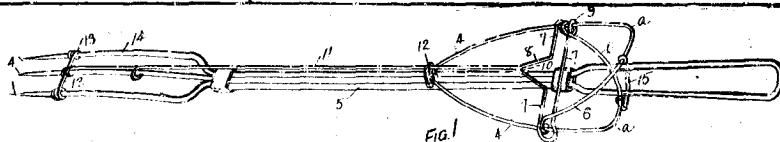
Moisture tester. Simpson 25331



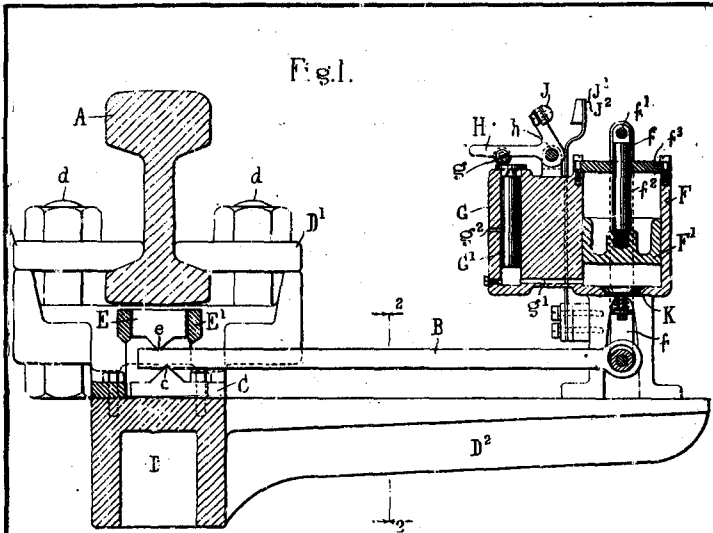
Laundry appliance. Carr. 29651.



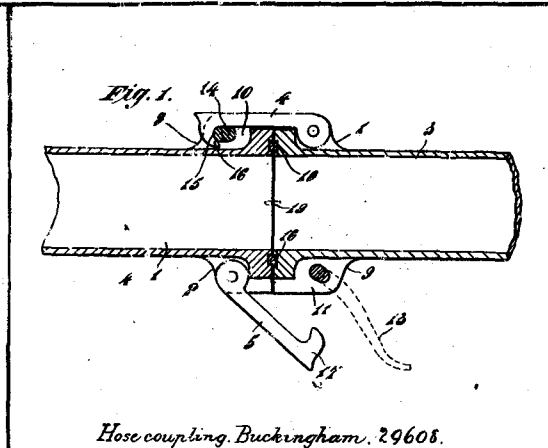
Ear trumpet and Hair pad. Messenger. 29653



Fork cleaner. Edwards. 29722.



Railway rail-contact. W.R. Sykes Interlocking Signal Company Ltd. Sykes, Tarrant, and McKenzie and Holland Ltd. 24594.



Hose coupling. Buckingham. 29608.

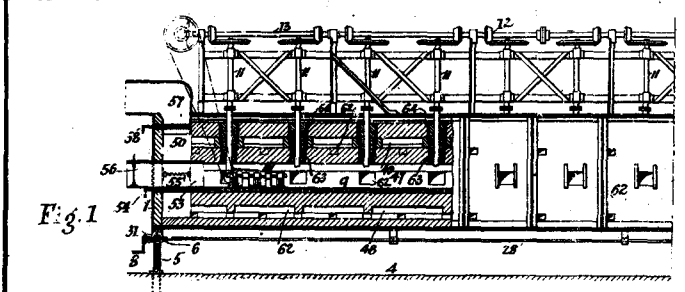
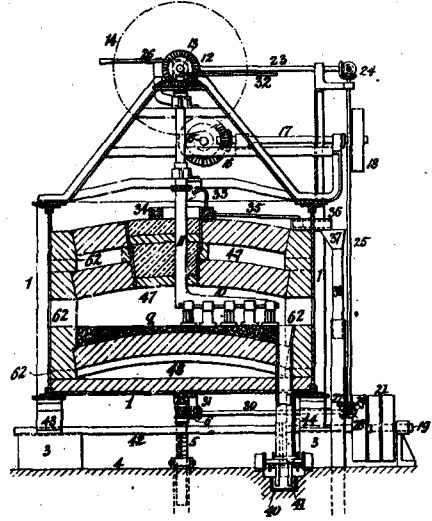
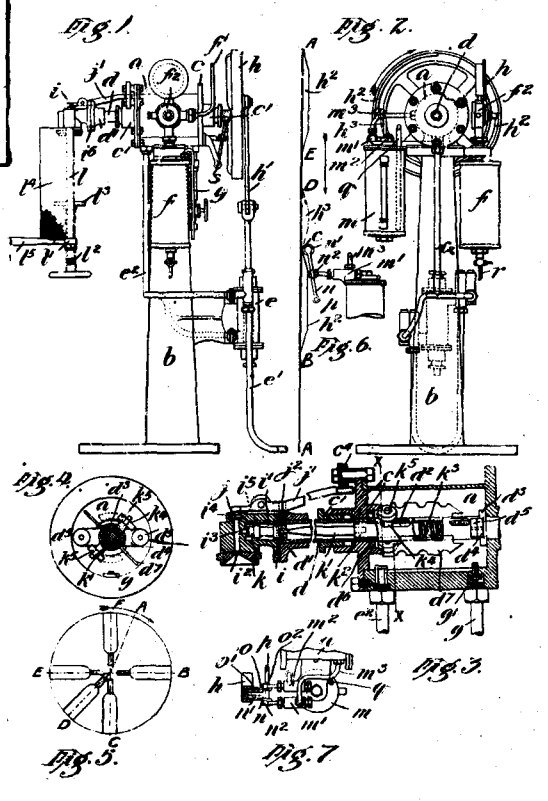


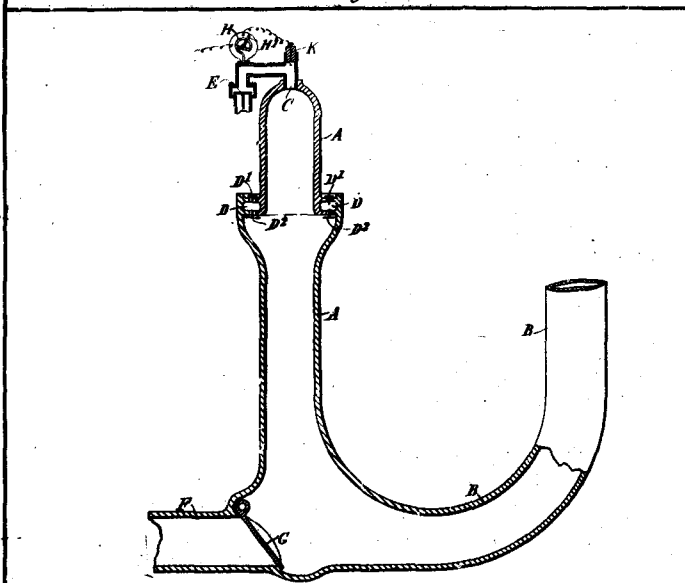
Fig. 1.



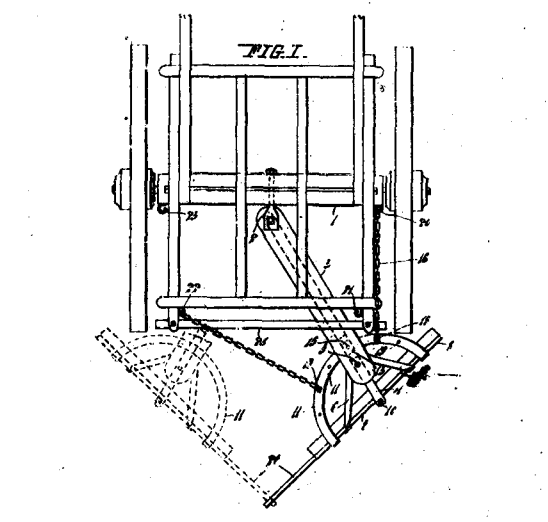
Furnace Calcining. Edwards. 29565.



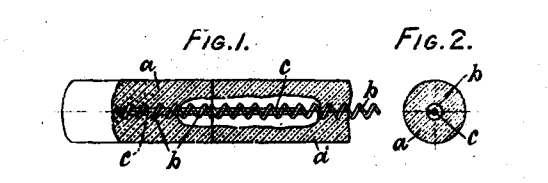
Liquid aerator. Billows. 29591.



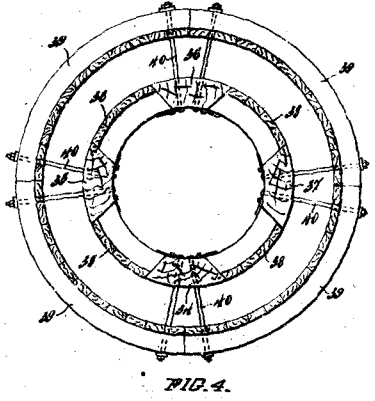
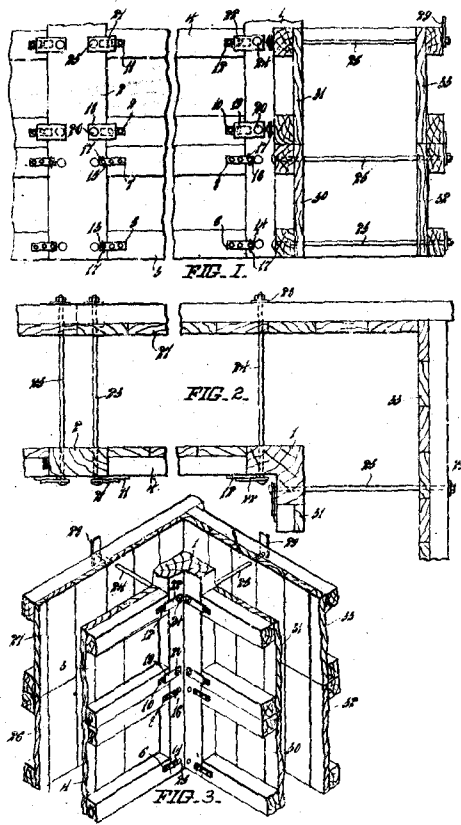
Pump. Badcock. 29716.



Road metal spreader. Bastin and McCarty. 28341.



Rubber rope jointing J.C. & H.H. Burton. 29445.



Concrete structure. Wilson. 29526.

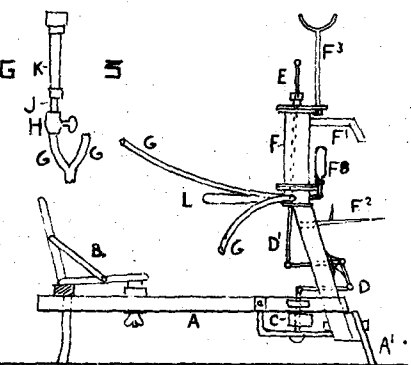


FIG. 1

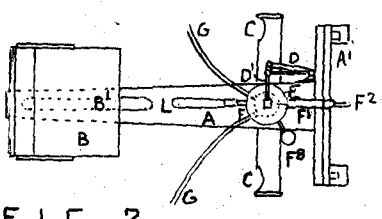


FIG. 2

Cow milker. Veale. 28754.

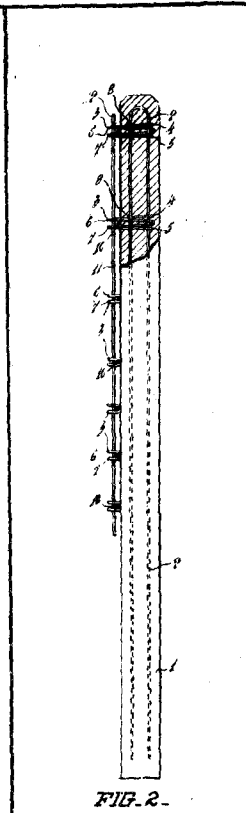
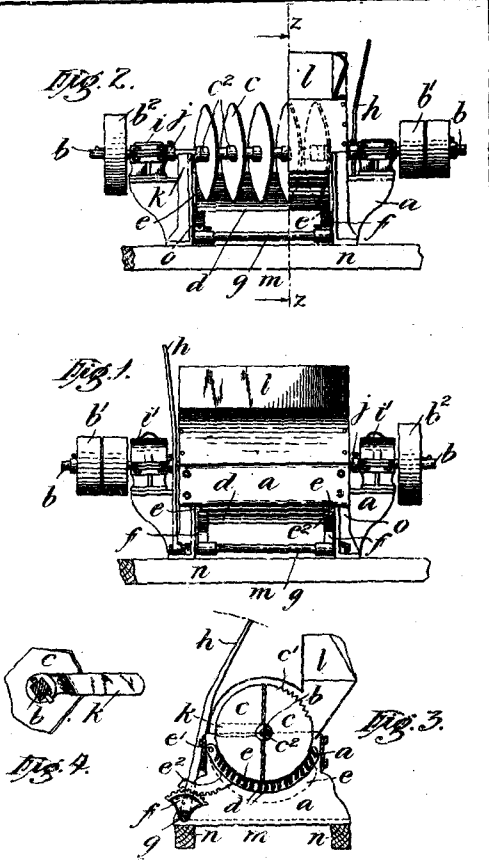


FIG. 2.

Telescopic post. Napier. 29350.



Mineral disintegrator. Robinson. 29395.

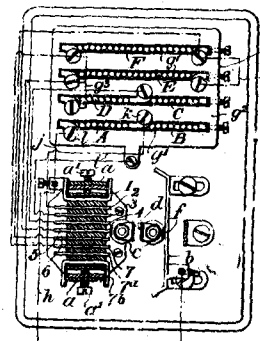


Fig. 1.

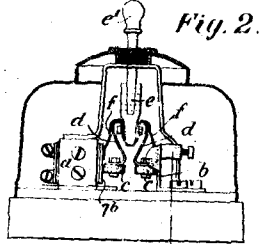
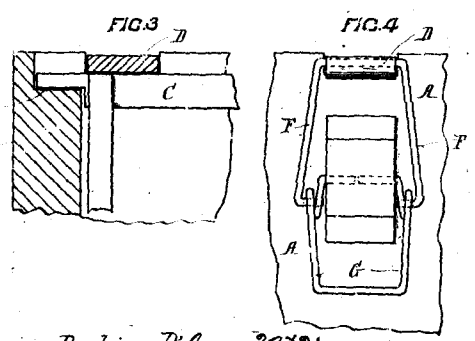
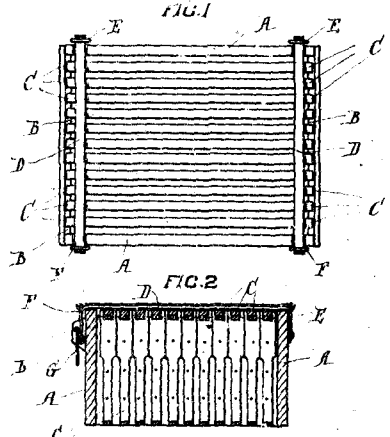


Fig. 2.

Electric current regulator. Watkinson and Payne. 29609.



Bee-hive. D'Arcy. 29721.

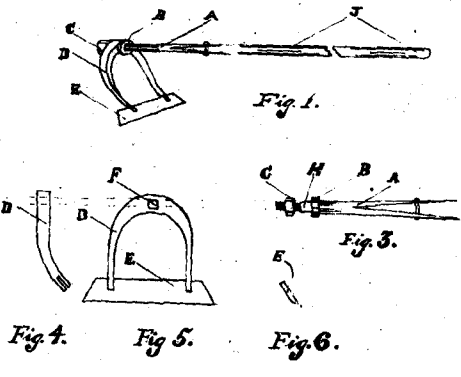


Fig. 4.

Fig. 5.

Fig. 6.

Hoe, garden. Hale. 29674.

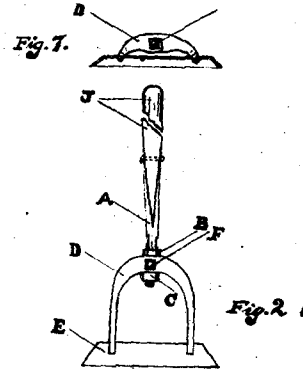
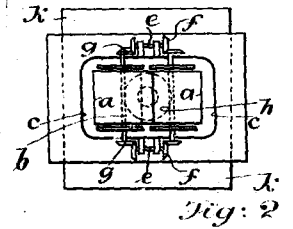
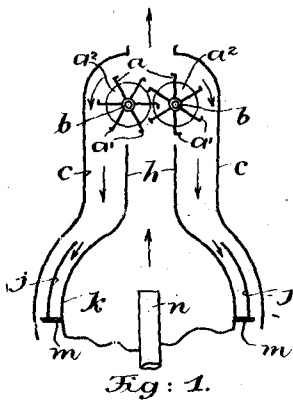
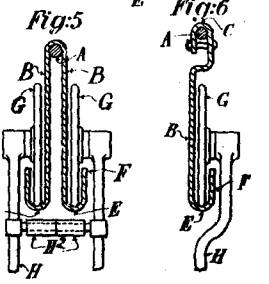
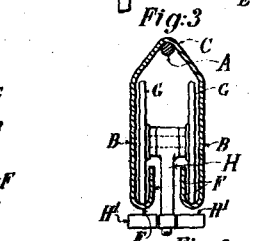
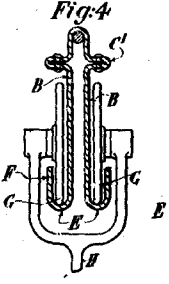
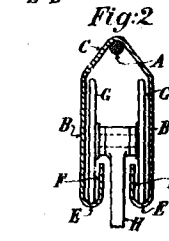
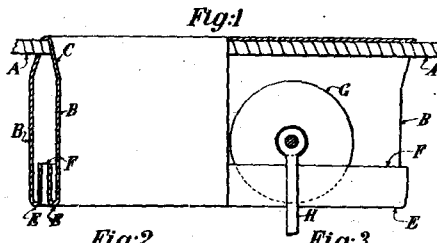


Fig. 1.

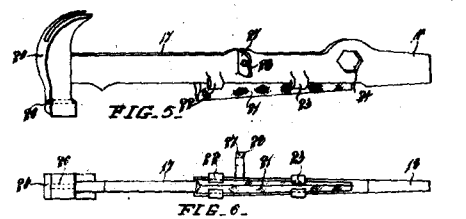
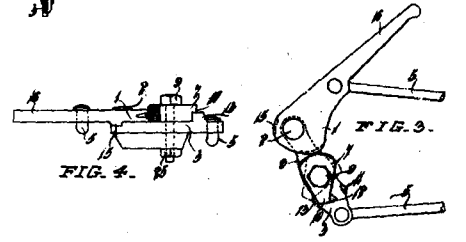
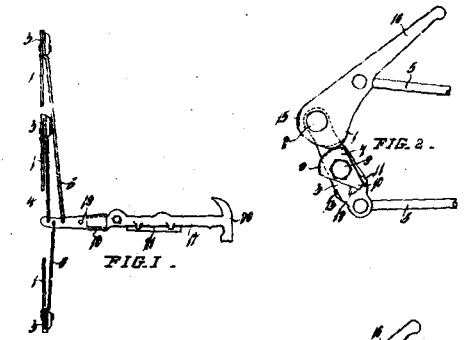
Fig. 2.



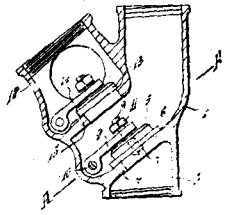
Spark arrester. Cunningham, Reid & Fitz-Hugh. 29715.



Railway aerial. Hamilton. 28965.



Wire strainer. Donald. 29684.



Valve, air pump. Hartness. 29665.

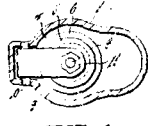
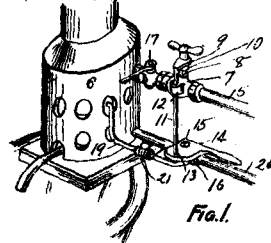
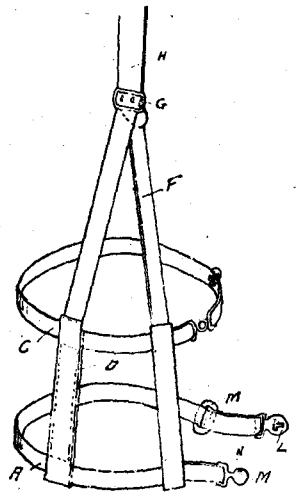


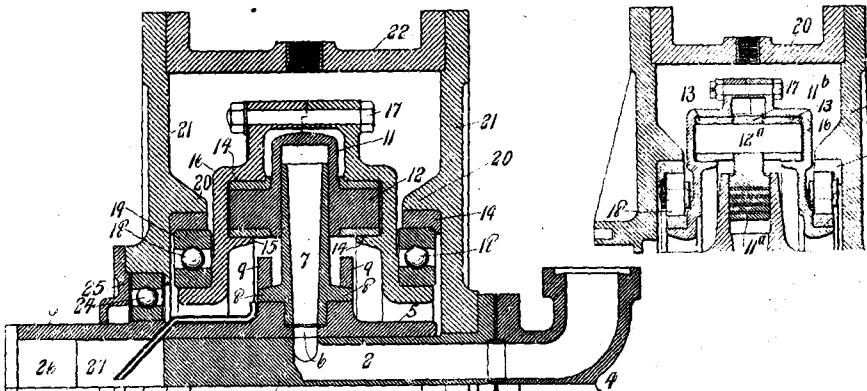
Fig: 4



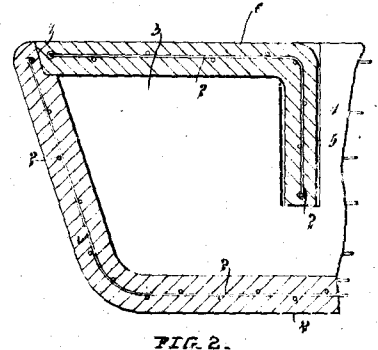
Hot water heater. Murphy. 29007.



Suspender-garlic. Fenton. 29724.



Pump and Motor. Hole-Shaw and Murtineau. 29595.



Drinking trough. Napier. 29657.